

Properties

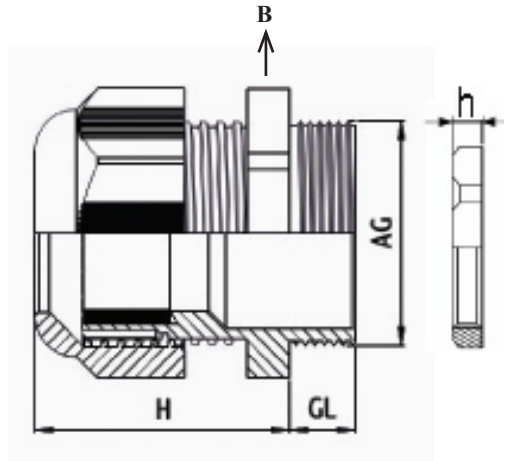
- **Material** : Polyamide PA6 V-2
- **Colour** : RAL 7035 Light Grey
- **Seal** : Vulcanizate TPV
- **Temperature** : - 30 Deg C to + 100 Deg C
- **IP Class** : IP 68 - 5bar
- **Flammability** : UL 94 V2 and Halogen-Free



RAL 7035 Grey Cable Gland Glass Fibre Reinforced Lock-Nut

Features

- Anti-lock system provide excellent Anti-Vibration protection
- UV Resistance
- High Heat and Impact Resistance
- Wide Sealing and Clamping Range
- Conform to DIN 40430
- RoHS Compliance
- Suitable for Outdoor use



RoHS



PG Polyamide Cable Glands (Type-light Grey RAL 7035)

Type	Ordering Code	AG-Mounting Hole Dia. (mm)	H (mm)	GL (mm)	Cable OD (mm)	B (mm)	h (mm)
PG7	90 ORL-01 SIS1	12.7	24	8	3-6.5	15	5
PG9	90 ORL-02 SIS1	15.4	28	8	4-8	19	5
PG11	90 ORL-03 SIS1	18.8	29	8	5-10	22	5
PG13.5	90 ORL-04 SIS1	20.7	29	9	6-12	24	6
PG16	90 ORL-05 SIS1	22.8	33	9	10-14	27	6
PG21	90 ORL-06 SIS1	28.6	38	11	13-18	33	7
PG29	90 ORL-07 SIS1	37.4	41	11	18-25	42	7
PG36	90 ORL-08 SIS1	47.5	51	13	22-32	53	8
PG42	90 ORL-09 SIS1	54.5	53	13	30-38	60	8
PG48	90 ORL-10 SIS1	59.8	55	14	34-44	65	8

M Polyamide Cable Glands (Type-light Grey RAL 7035)

Type	Ordering Code	AG-Mounting Hole Dia. (mm)	H (mm)	GL (mm)	Cable OD (mm)	B (mm)	h (mm)
M12	90 OMRL-01 SIS1	12.2	24	8	3-6.5	15	5
M16	90 OMRL-11 SIS1	16.2	29	15	5-10	22	5
M20	90 OMRL-13 SIS1	20.2	33	15	6-12	27	6
M25	90 OMRL-14 SIS1	25.2	38	15	13-18	33	6
M32	90 OMRL-15 SIS1	32.2	41	18	18-25	42	7
M40	90 OMRL-16 SIS1	40.2	51	18	22-32	53	7
M50	90 OMRL-09 SIS1	50.2	53	18	30-38	60	8
M63	90 OMRL-10 SIS1	63.2	55	18	34-44	65	8



Properties

- **Material** : Brass Nickel Plated
- **Seal** : Vulcanizate TPV
- **Temperature** : - 40 Deg C to + 100 Deg C
- **IP Class** : IP 68 - 5bar

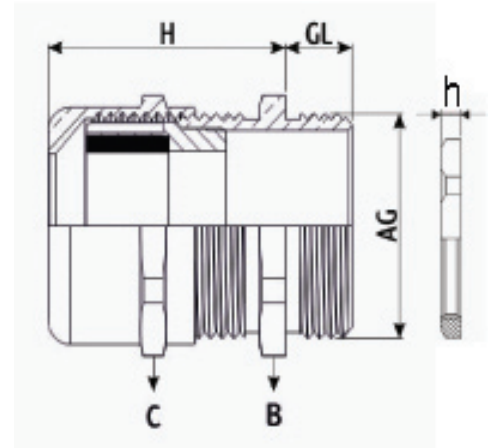


Brass Nickel-Plated Cable Gland

Brass Nickel-Plated Lock-Nut

Features

- **Anti-lock system provide excellent Anti-Vibration protection**
- **High Heat and Impact Resistance**
- **Wide Sealing and Clamping Range**
- **Conform to EN 50262**
- **Suitable for Outdoor use**



RoHS



PG Brass Nickel-Plated Cable Glands

Type	Ordering Code	AG-Mounting Hole Dia. (mm)	H (mm)	GL (mm)	Cable OD (mm)	B (mm)	C (mm)	h (mm)
PG7	90 OPBG-01 SIS1	12.7	19	6	3-6.5	14	14	2.8
PG9	90 OPBG-02 SIS1	15.4	21	6	4-8	17	17	2.8
PG11	90 OPBG-03 SIS1	18.8	22	6	5-10	20	20	3
PG13.5	90 OPBG-04 SIS1	20.7	23	6.5	6-12	22	22	3
PG16	90 OPBG-05 SIS1	22.8	24	6.5	10-14	24	24	3
PG21	90 OPBG-06 SIS1	28.6	25	7	13-18	30	30	3.5
PG29	90 OPBG-07 SIS1	37.4	31	8	18-25	40	40	4
PG36	90 OPBG-08 SIS1	47.5	37	10	22-32	50	50	5
PG42	90 OPBG-09 SIS1	54.5	37	12	30-38	57	57	5
PG48	90 OPBG-10 SIS1	59.8	38	14	34-44	64	64	5.5

M Brass Nickel-Plated Cable Glands

Type	Ordering Code	AG-Mounting Hole Dia. (mm)	H (mm)	GL (mm)	Cable OD (mm)	B (mm)	C (mm)	h (mm)
M12	90 OMBG-01 SIS1	12.2	19	6	3-6.5	14	14	2.8
M16	90 OMBG-02 SIS1	16.2	21	7	5-10	18	17	3
M20	90 OMBG-03 SIS1	20.2	23	8	6-12	22	22	3.5
M25	90 OMBG-04 SIS1	25.2	24	8	13-18	27	24	3.5
M32	90 OMBG-05 SIS1	32.2	25	9	18-25	34	30	4
M40	90 OMBG-06 SIS1	40.2	31	9	22-32	43	40	4
M50	90 OMBG-07 SIS1	50.2	37	9	30-38	55	50	5
M63	90 OMBG-08 SIS1	63.2	38	14	34-44	68	64	5