

STANDARD SERIES - CURRENT TRANSFORMERS

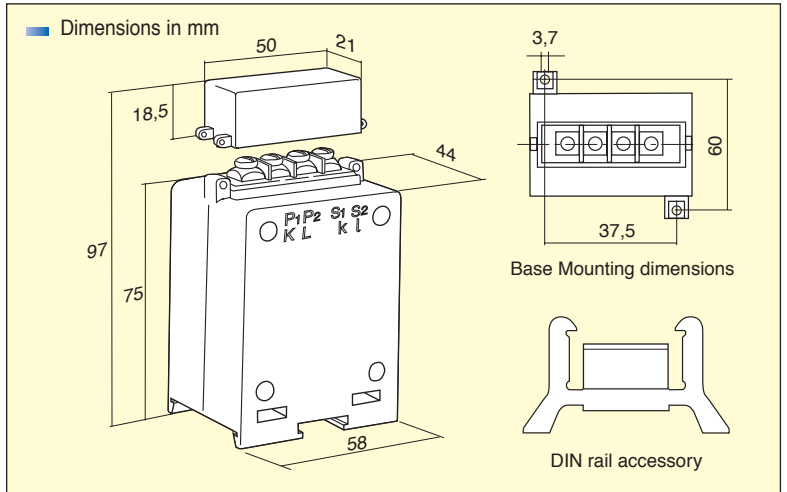
- The short circuit on terminals or the connection to earth can be achieved by the double fast-on or connecting two wires on the same terminal
- Sealable terminals cover included
- Different characteristics on request
- Secondary current 1A on request

TARPDE1

- Transformer with wound primary cable, primary and secondary currents on the terminals
- Fixing system: to wall or to DIN rail by accessories supplied together with the current transformer



A	kg	class 1	
primary current	weight	secondary current 5A	
		code	VA
1	0,4	TARPDE1 1A	3
5		TARPDE1 5A	3
10		TARPDE1 10A	3
15		TARPDE1 15A	3
20		TARPDE1 20A	3
25		TARPDE1 25A	3
30		TARPDE1 30A	3
40		TARPDE1 40A	3

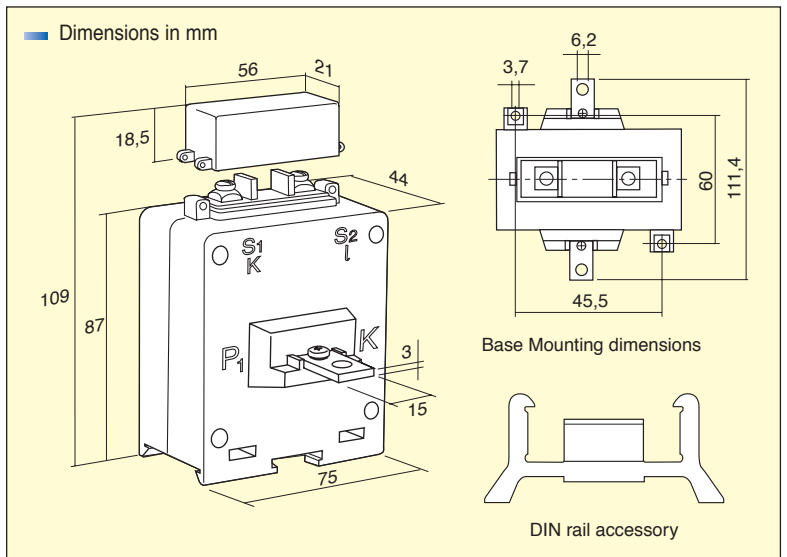


TARPDE2

- Transformer with wound primary cable, primary current by central incorporated bar 15x3 mm; secondary current on terminals
- Fixing system: to wall or to DIN rail by accessories supplied together with the current transformer



A	kg	class 1	
primary current	weight	secondary current 5A	
		code	VA
50	0,5	TARPDE2 50A	3
60		TARPDE2 60A	3
80		TARPDE2 80A	3
100		TARPDE2 100A	3
150		TARPDE2 150A	3

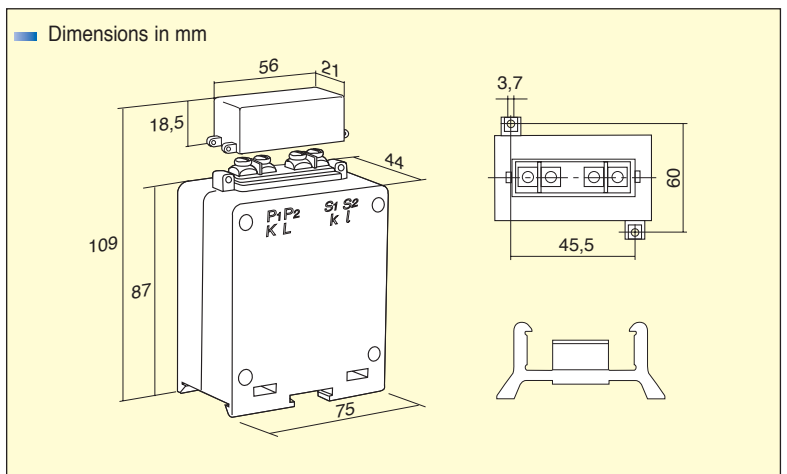


TARPD1

- Transformer with wound primary cable, primary and secondary currents on the terminals
- Fixing system: to wall or to DIN rail by accessories supplied together with the current transformer



A	kg	class 0,5	
primary current	weight	secondary current 5A	
		code	VA
1	0,5	TARPD1 1A	6
5		TARPD1 5A	6
10		TARPD1 10A	6
15		TARPD1 15A	6
20		TARPD1 20A	6
25		TARPD1 25A	6
30		TARPD1 30A	6
40		TARPD1 40A	6

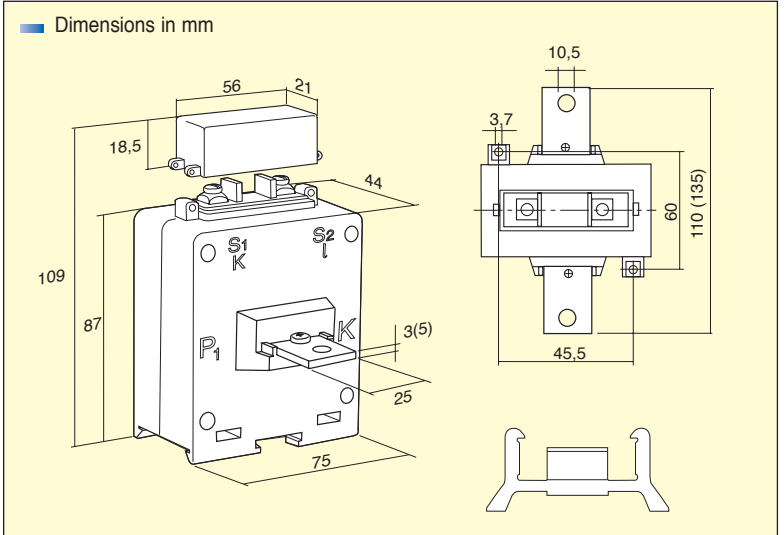


TARPD2

- Transformer with wound primary cable, primary current by central incorporated bar 25x3 mm up to 300A, 25x5 mm from 400 to 500A secondary current on terminals
- Fixing system: to wall or to DIN rail by accessories supplied together with the current transformer

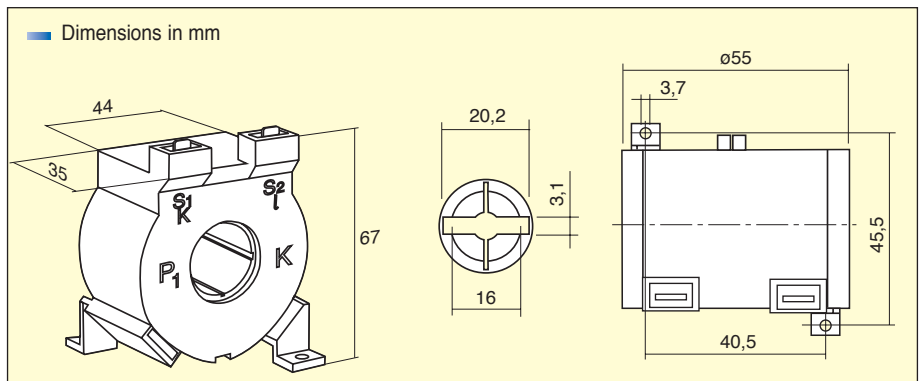


A	kg	class 0,5	
primary current	weigh	secondary current 5A	
		code	VA
50	0,5	TARPD2 50A	6
60		TARPD2 60A	6
80		TARPD2 80A	6
100		TARPD2 100A	6
150		TARPD2 150A	6
200		TARPD2 200A	6
250		TARPD2 250A	6
300		TARPD2 300A	6
400		TARPD2 400A	6
500		TARPD2 500A	6



TAR0

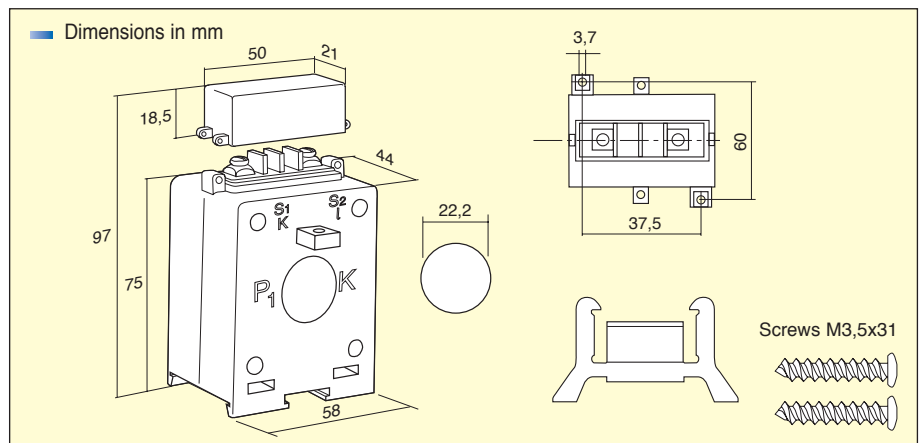
- Transformer suitable for primary current by cable with maximum diameter 15mm or by horizontal bar 20x3mm
- Fixing system:
 - to wall by accessories
 - directly to cable or bus bar the accessories are supplied together with the current transformer



A	kg	class 3		A	kg	class 0,5		class 1	
primary current	weigh	secondary current 5A		primary current	weigh	secondary current 5A		secondary current 5A	
		code	VA			code	VA	code	VA
40	0,25	TAR0 40A	2	100	0,25	TAR0 150A	3	TAR0 100A	3
50		TAR0 50A	2	150		TAR0 200A	3		
60		TAR0 60A	3	200		TAR0 250A	5		
80		TAR0 80A	3	250					

TAR1D

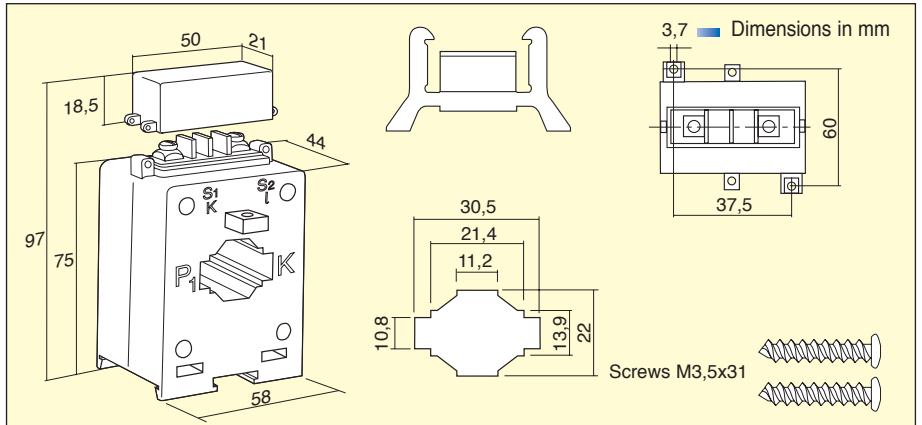
- Transformer suitable for primary current by cable with maximum diameter 20 mm
- Fixing system:
 - to wall or to DIN rail by accessories
 - directly to cable by screws
 the accessories and the screws are supplied together with the current transformer



A	kg	class 3		A	kg	class 0,5		class 1	
primary current	weigh	secondary current 5A		primary current	weigh	secondary current 5A		secondary current 5A	
		code	VA			code	VA	code	VA
40	0,3	TAR1D 40A	2	100	0,3	TAR1D 150A	3	TAR1D 100A	3
50		TAR1D 50A	3	150		TAR1D 200A	3		
60		TAR1D 60A	3	200		TAR1D 250A	5		
80		TAR1D 80A	3	250					

TAR3D

- Transformer suitable for primary current by cable with maximum diameter 21mm or by horizontal bar 20x10 - 30x10 mm; vertical bar 20x10 mm
- Fixing system:
 - to wall or to DIN rail by accessories
 - directly to cable or bus bar by screws the accessories and the screws are supplied together with the current transformer

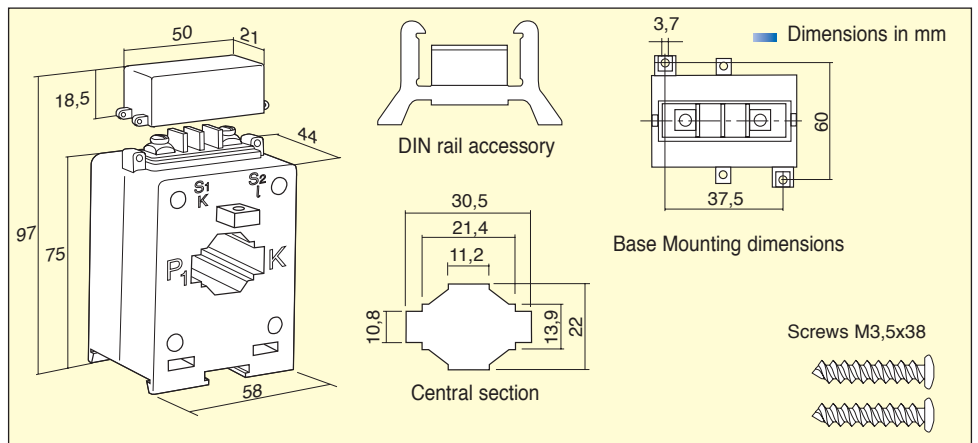


A	kg	class 1		class 3	
primary current	weight	secondary current 5A		secondary current 5A	
		code	VA	code	VA
50	0,3			TAR3D 50A	2
60				TAR3D 60A	2
80				TAR3D 80A	3
100		TAR3D 100A	2,5		

A	kg	class 0,5		class 0,5S	
primary current	weight	secondary current 5A		secondary current 5A	
		code	VA	code	VA
150	0,3	TAR3D 150A	3	TAR3D 150A	1,5
200		TAR3D 200A	3	TAR3D 200A	2
250		TAR3D 250A	5	TAR3D 250A	2
300		TAR3D 300A	5	TAR3D 300A	1,5
400		TAR3D 400A	6	TAR3D 400A	1,5
500		TAR3D 500A	6	TAR3D 500A	1,5
600		TAR3D 600A	6	TAR3D 600A	2

TAR4D3

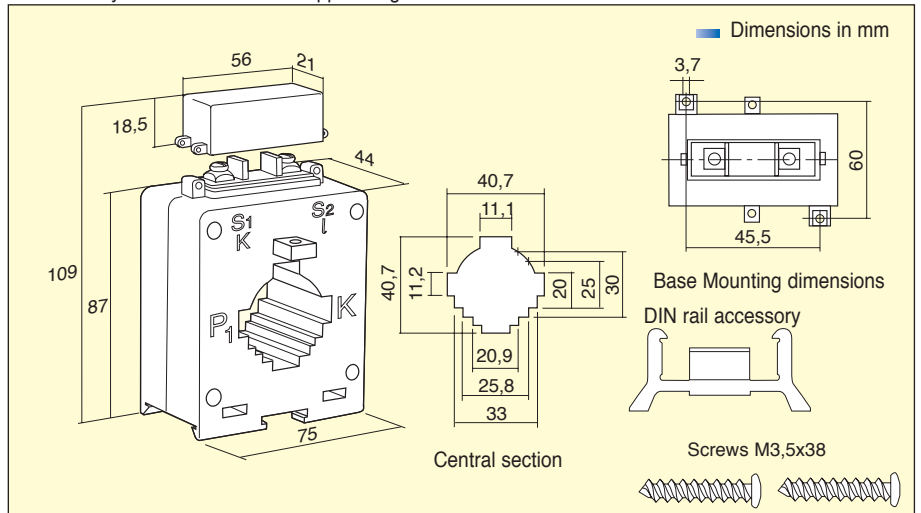
- Transformer suitable for primary current by cable with maximum diameter 21mm or by horizontal bar 20x10 - 30x10 mm; vertical bar 20x10 mm
- Fixing system:
 - to wall or to DIN rail by accessories
 - directly to cable or bus bar by screws the accessories and the screws are supplied together with the current transformer



A	kg	class 0,5		class 0,2S		class 0,2		class 0,5S	
primary current	weight	secondary current 5A		secondary current 5A		secondary current 5A		secondary current 5A	
		code	VA	code	VA	code	VA	code	VA
100	0,7	TAR4D3 100A	3	TAR4D3 100A,2S	1,5	TAR4D3 100A,2	1,5	TAR4D3 100A,5S	2,5
125		TAR4D3 125A	4	TAR4D3 125A,2S	1,5	TAR4D3 125A,2	1,5	TAR4D3 125A,5S	2,5
150		TAR4D3 150A	5	TAR4D3 150A,2S	1,5	TAR4D3 150A,2	1,5	TAR4D3 150A,5S	3,5
200		TAR4D3 200A	6	TAR4D3 200A,2S	1,5	TAR4D3 200A,2	1,5	TAR4D3 200A,5S	5
250		TAR4D3 250A	10	TAR4D3 250A,2S	1,5	TAR4D3 250A,2	1,5	TAR4D3 250A,5S	5
300		TAR4D3 300A	10	TAR4D3 300A,2S	1,5	TAR4D3 300A,2	1,5	TAR4D3 300A,5S	7,5
400		TAR4D3 400A	10	TAR4D3 400A,2S	1,5	TAR4D3 400A,2	1,5	TAR4D3 400A,5S	10
500		TAR4D3 500A	10						
600		TAR4D3 600A	10						

TAR4D

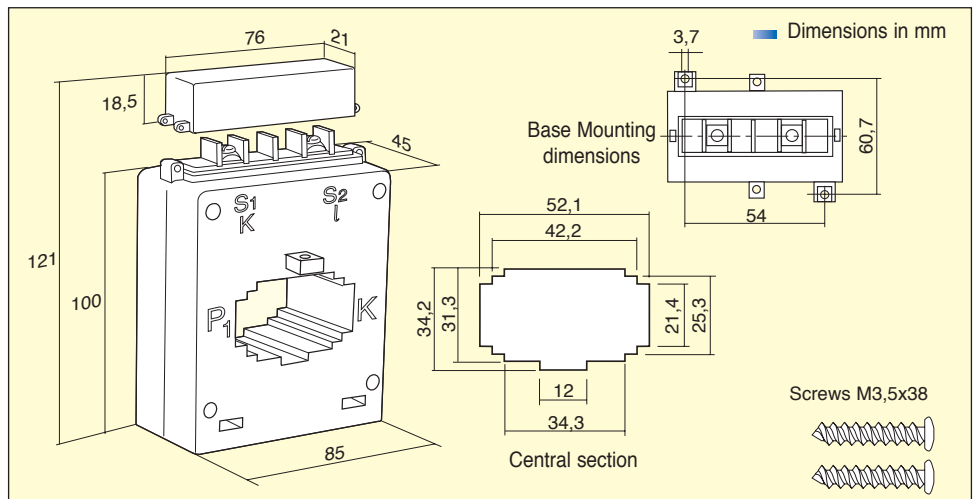
- Transformer suitable for primary current by cable with maximum diameter 32mm or by horizontal bar 25x20 - 30x25 - 40x10; vertical bar 20x25 - 30x20 - 40x10 mm
- Fixing system:
 - to wall or to DIN rail by accessories
 - directly to cable or bus bar by screws the accessory and the screws are supplied together with the current transformer



A	kg	class 0,5		class 1		class 0,2S		class 0,2		class 0,5S	
primary current	weight	secondary current 5A		secondary current 5A		secondary current 5A		secondary current 5A		secondary current 5A	
		code	VA	code	VA	code	VA	code	VA	code	VA
150	0,5			TAR4D 150A	3	TAR4D 150A0,2S	-	TAR4D 150A0,2	-	TAR4D 150A0,5S	1
200		TAR4D 200A	4			TAR4D 200A0,2S	1,5	TAR4D 200A0,2	1,5	TAR4D 200A0,5S	1,5
250		TAR4D 250A	6			TAR4D 250A0,2S	2	TAR4D 250A0,2	2	TAR4D 250A0,5S	2
300		TAR4D 300A	6			TAR4D 300A0,2S	2	TAR4D 300A0,2	2	TAR4D 300A0,5S	2
400		TAR4D 400A	10			TAR4D 400A0,2S	3	TAR4D 400A0,2	3	TAR4D 400A0,5S	3
500		TAR4D 500A	10			TAR4D 500A0,2S	3	TAR4D 500A0,2	3	TAR4D 500A0,5S	3
600		TAR4D 600A	10			TAR4D 600A0,2S	3	TAR4D 600A0,2	4	TAR4D 600A0,5S	4
750		TAR4D 750A	10			TAR4D 750A0,2S	4	TAR4D 750A0,2	4	TAR4D 750A0,5S	5
800		TAR4D 800A	10			TAR4D 800A0,2S	4	TAR4D 800A0,2	4	TAR4D 800A0,5S	5

TAR5

- Transformer suitable for primary current by cable with maximum diameter 30 mm or by horizontal bar 30x30 - 40x25 - 50x20 mm; vertical bar 30x10 mm
- Fixing system:
 - to wall or DIN rail by accessories
 - directly to cable or bus bar by screws the accessory and the screws are supplied together with the current transformer

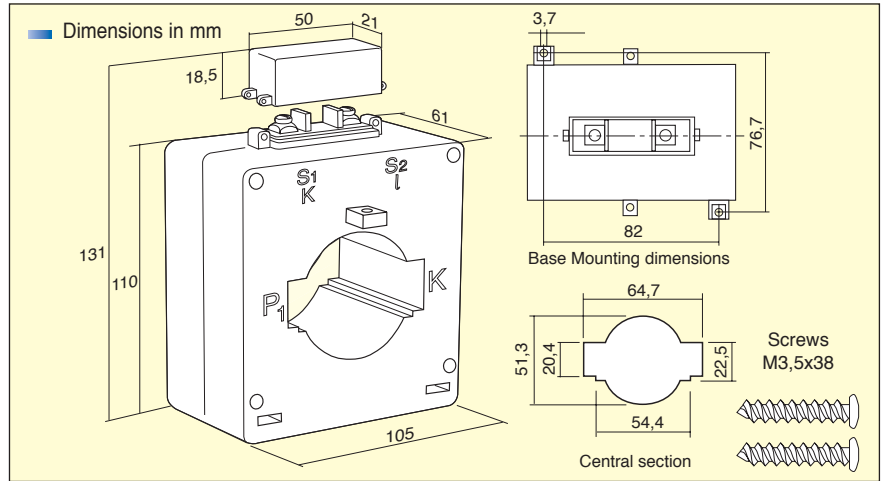


A	kg	class 0,5		class 1		class 0,2S		class 0,2		class 0,5S	
primary current	weight	secondary current 5A		secondary current 5A		secondary current 5A		secondary current 5A		secondary current 5A	
		code	VA	code	VA	code	VA	code	VA	code	VA
200	0,5			TAR5 200A	4						
250		TAR5 250A	3			TAR5 250A0,2S	2	TAR5 250A0,2	2	TAR5 250A0,5S	2
300		TAR5 300A	4			TAR5 300A0,2S	2	TAR5 300A0,2	2	TAR5 300A0,5S	2
400		TAR5 400A	6			TAR5 400A0,2S	3	TAR5 400A0,2	3	TAR5 400A0,5S	3
500		TAR5 500A	10			TAR5 500A0,2S	3	TAR5 500A0,2	3	TAR5 500A0,5S	3
600		TAR5 600A	10			TAR5 600A0,2S	3	TAR5 600A0,2	4	TAR5 600A0,5S	4
800		TAR5 800A	10			TAR5 800A0,2S	4	TAR5 800A0,2	4	TAR5 800A0,5S	5
1000		TAR5 1K0A	10			TAR5 1K0A0,2S	5	TAR5 1K0A0,2	5	TAR5 1K0A0,5S	5
1200		TAR5 1K2A	10			TAR5 1K2A0,2S	6	TAR5 1K2A0,2	6	TAR5 1K2A0,5S	6
1500		TAR5 1K5A	20			TAR5 1K5A0,2S	6	TAR5 1K5A0,2	6	TAR5 1K5A0,5S	6

TAR6

Transformer suitable for primary current by cable with maximum diameter 50mm or by horizontal bar 50x20 - 60x20 mm

Fixing system: - to wall by accessories
- directly to cable or bus bar by screws the accessories and the screws are supplied together with the current transformer

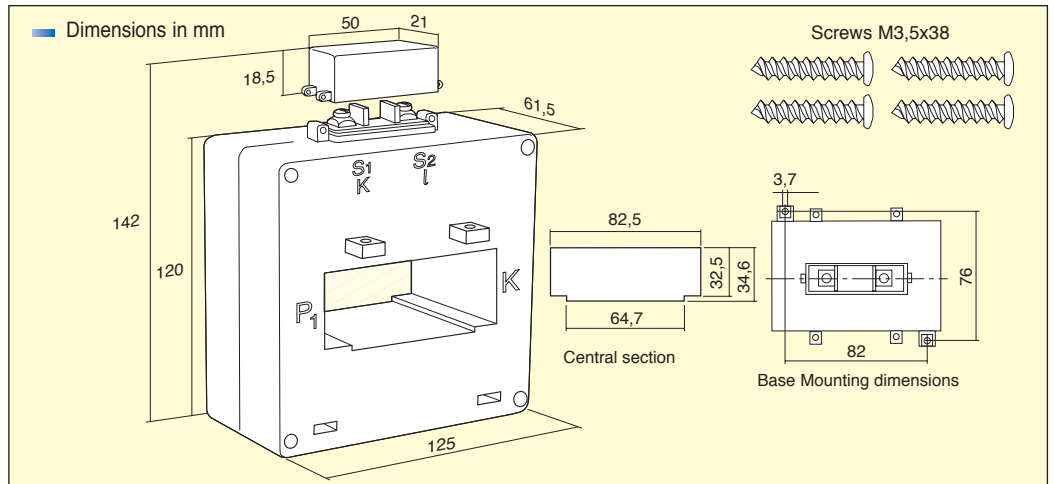


A	kg	class 0,5		class 0,2S		class 0,2		class 0,5S	
primary current	weighth	secondary current 5A		secondary current 5A		secondary current 5A		secondary current 5A	
		code	VA	code	VA	code	VA	code	VA
250	1								
300									
400		TAR6 400A	6						
500		TAR6 500A	6						
600		TAR6 600A	10		TAR6 600A0,2S	4	TAR6 600A0,2	5	TAR6 600A0,5S
750	0,7	TAR6 750A	10	TAR6 750A0,2S	4	TAR6 750A0,2	5	TAR6 750A0,5S	6
800		TAR6 800A	10	TAR6 800A0,2S	4	TAR6 800A0,2	5	TAR6 800A0,5S	6
1000		TAR6 1K0A	10	TAR6 1K0A0,2S	5	TAR6 1K0A0,2	5	TAR6 1K0A0,5S	6
1200		TAR6 1K2A	15	TAR6 1K2A0,2S	5	TAR6 1K2A0,2	5	TAR6 1K2A0,5S	6
1500	0,8	TAR6 1K5A	20	TAR6 1K5A0,2S	5	TAR6 1K5A0,2	5	TAR6 1K5A0,5S	6
1600		TAR6 1K6A	20	TAR6 1K6A0,2S	5	TAR6 1K6A0,2	5	TAR6 1K6A0,5S	6
2000		TAR6 2K0A	20						
2500	1	TAR6 2K5A	20						

TAR8

Transformer suitable for primary current by two cables with maximum diameter 30mm each or by horizontal bar 60x30 - 80x30 mm

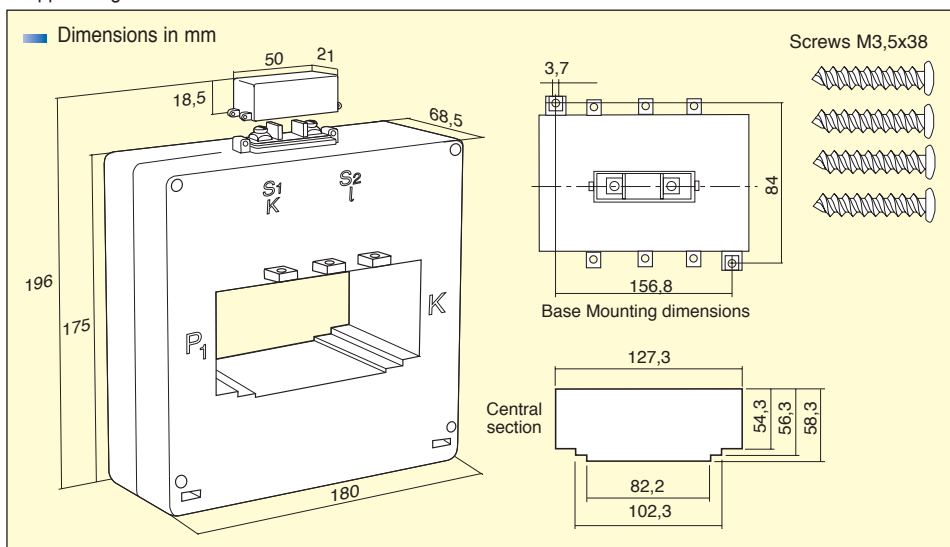
Fixing system: directly to cable or bus bar by screws supplied together with the current transformer



A	kg	class 0,5		class 0,2S		class 0,2		class 0,5S	
primary current	weighth	secondary current 5A		secondary current 5A		secondary current 5A		secondary current 5A	
		code	VA	code	VA	code	VA	code	VA
400	0,8	TAR8 400A	6						
500		TAR8 500A	10						
600	1	TAR8 600A	10						
800		TAR8 800A	10						
1000		TAR8 1K0A	10	TAR8 1K0A0,2S	5	TAR8 1K0A0,2	5	TAR8 1K0A0,5S	6
1200	0,7	TAR8 1K2A	15	TAR8 1K2A0,2S	5	TAR8 1K2A0,2	5	TAR8 1K2A0,5S	6
1500		TAR8 1K5A	20	TAR8 1K5A0,2S	5	TAR8 1K5A0,2	5	TAR8 1K5A0,5S	6
1600	1	TAR8 1K6A	20	TAR8 1K6A0,2S	10	TAR8 1K6A0,2	10	TAR8 1K6A0,5S	15
2000		TAR8 2K0A	20	TAR8 2K0A0,2S	10	TAR8 2K0A0,2	10	TAR8 2K0A0,5S	15
2500		TAR8 2K5A	20	TAR8 2K5A0,2S	10	TAR8 2K5A0,2	10	TAR8 2K5A0,5S	15
3000	1,5	TAR8 3K0A	20	TAR8 3K0A0,2S	10	TAR8 3K0A0,2	10	TAR8 3K0A0,5S	15

TAR12

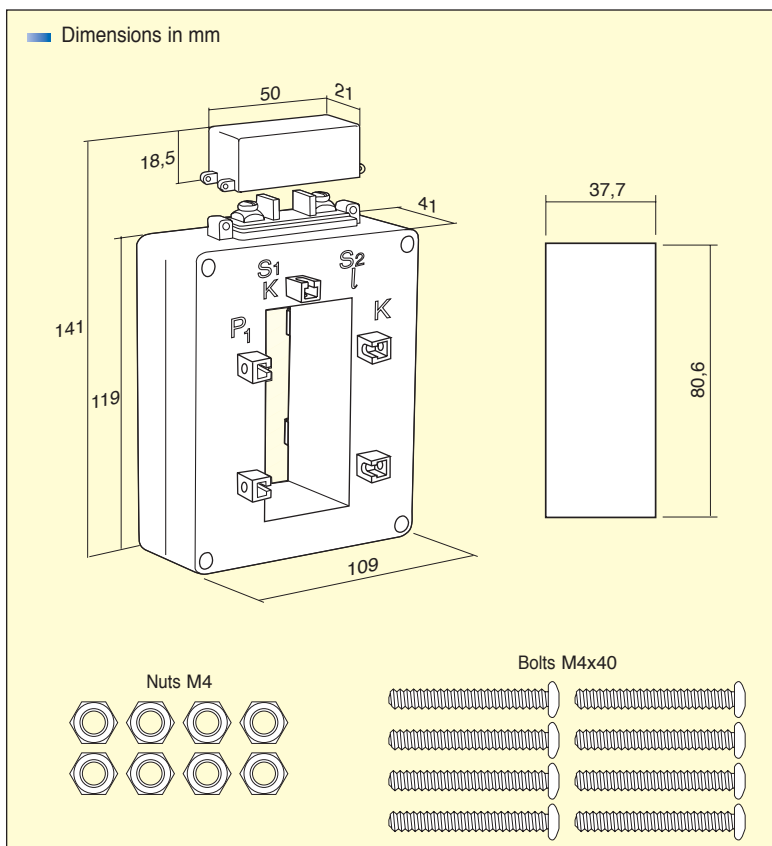
- Transformer suitable for primary current by two cables with maximum diameter 50mm each or by horizontal bar 80x50 - 100x50 - 125x50 mm
- Fixing system: directly to cable or bus bar by screws supplied together with the current transformer



A	kg	class 0,5		class 0,2S		class 0,2		class 0,5S	
primary current	weight	secondary current 5A		secondary current 5A		secondary current 5A		secondary current 5A	
		code	VA	code	VA	code	VA	code	VA
500	1,5	TAR12 500A	10						
600		TAR12 600A	10						
800		TAR12 800A	15						
1000		TAR12 1K0A	20						
1200		TAR12 1K2A	20						
1500		TAR12 1K5A	20		TAR12 1K5A0,2S	10	TAR12 1K5A0,2	10	TAR12 1K5A0,5S
1600	TAR12 1K6A	20		TAR12 1K6A0,2S	10	TAR12 1K6A0,2	10	TAR12 1K6A0,5S	25
2000	TAR12 2K0A	30		TAR12 2K0A0,2S	15	TAR12 2K0A0,2	15	TAR12 2K0A0,5S	30
2500	1,6	TAR12 2K5A	40	TAR12 2K5A0,2S	20	TAR12 2K5A0,2	20	TAR12 2K5A0,5S	35
3000		TAR12 3K0A	40	TAR12 3K0A0,2S	20	TAR12 3K0A0,2	20	TAR12 3K0A0,5S	40
4000		TAR12 4K0A	50	TAR12 4K0A0,2S	30	TAR12 4K0A0,2	30	TAR12 4K0A0,5S	50

TAR8V

- Transformer suitable for primary current by two cables with maximum diameter 35mm each or by vertical bar 80x30 - 2x80x5 - 2x80x10 - 3x80x5 mm
- Fixing system: directly to cable or bus bar by bolts supplied together with the current transformer



A	kg	class 0,5	
primary current	weight	secondary current 5A	
		code	VA
400	0,7	TAR8V 400A	6
500		TAR8V 500A	10
600		TAR8V 600A	10
800		TAR8V 800A	10
1000		TAR8V 1K0A	10
1200		TAR8V 1K2A	10
1500	TAR8V 1K5A	10	
2000	TAR8V 2K0A	20	
2500	0,8	TAR8V 2K5A	20

TAR12V

- Transformer suitable for primary current by three cables with maximum diameter 35mm each or by vertical bar 100x10 - 2x100x5 - 2x100x10 - 3x100x5 - 3x100x10 - 4x100x5 - 125x30 - 2x125x5 - 3x125x5 - 4x125x5 mm
- Fixing system: directly to cable or bus bar by bolts supplied together with the current transformer



A	kg	class 0,5	
primary current	weight	secondary current 5A	
		code	VA
800	0,7	TAR12V 800A	10
1000		TAR12V 1K0A	10
1200		TAR12V 1K2A	10
1250		TAR12V 1K25A	10
1500	1	TAR12V 1K5A	12
2000		TAR12V 2K0A	15
2500		TAR12V 2K5A	20

